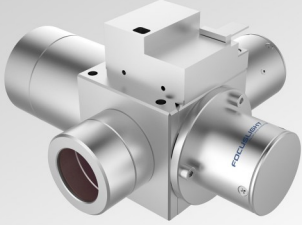
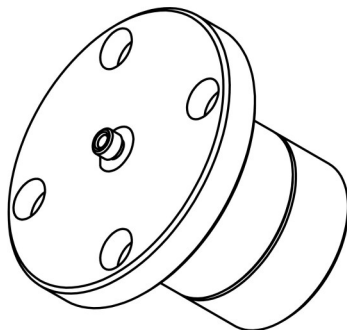
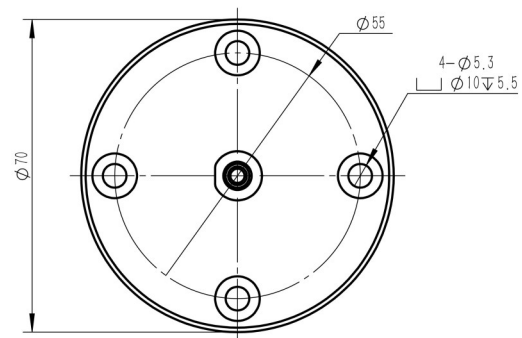
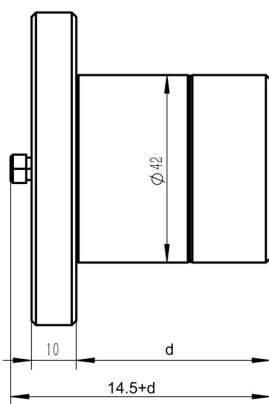


Industrial Laser System for Material Processing

Activation Series - Laser Processing Heads

	<p>Features</p> <ul style="list-style-type: none"> • Optimized beam shaping • Perfect process tool for welding and soldering • Safe process data transfer • Individual software package 	<p>Applications</p> <ul style="list-style-type: none"> • Material processing • Laser annealing • Laser reflow soldering • Laser bonding • Plastic welding • Laser non-contact heating
---	--	--

Product Dimensions (mm)



Remark: The structure drawing is for reference only. Please feel free to contact us for any special requirements.

Product Specifications

Product Code	ACT000029	ACT000036
Part No. ¹	LM-LPH-LD80-R-50-100	LM-LPH-SMA-R-50-5000

General Data	Unit	Value	
Housing Material	-	Anodized Aluminum	Anodized Aluminum
Dimensions (length × width × depth)	mm	70 × 70 × 87	70 × 70 × 87
Mounting Threads (on both sides)	-	4 × M5	4 × M5
Fiber Connector Types	-	LD80	SMA905
Length d (shown in the picture)	mm	72.5	72.5
Weight	g	600	600

Optical Data			
Max. Laser Power (CW)	W	500	120
Wavelength Range	nm	790 - 990	790 - 990
Max. Numerical Aperture	-	0.23	0.23
Max. Fiber Core Diameter	µm	600	600
Transmission Rate	-	90% (typ. 95%)	90% (typ. 95%)
Collimation Focal Length	mm	50	50
Focusing Focal Length	mm	100	5000
Working Distance	mm	80 ± 10	5000
Beam Size FWHM with 200µm Fiber	µm	400	-
Beam Size (90% PE) with 200µm Fiber ²	µm	560	-
Beam Size FWHM with 400µm Fiber	µm	800	-
Beam Size (90% PE) with 400µm Fiber ²	µm	960	-
Max. Divergence with 200µm Fiber ³	mrad	-	4
Max. Divergence with 400µm Fiber ³	mrad	-	8

Thermal Data			
Operating Temperature	°C	5 ~ 40	5 ~ 40
Storage Temperature	°C	15 ~ 50	15 ~ 50
Max. Housing Temperature in Operation	°C	60	60

¹Part No. = Brand Code - Series - Fiber Connector Type - Beam Type - Collimation Focal Length - Focusing Focal Length

²PE means power enclosed.

³FW 1/e²



Product Specifications

Product Code	ACT000038
Part No. ¹	LM-LPH-LD80-R-35-0

General Data	Unit	Value
Housing Material	-	Anodized Aluminum
Dimensions (length × width × depth)	mm	70 × 70 × 58
Mounting Threads (on both sides)	-	4 × M5
Fiber Connector Types	-	LD80
Length d (shown in the picture)	mm	43.5
Weight	g	350

Optical Data	Unit	Value
Max. Laser Power (CW)	W	500
Wavelength Range	nm	790 - 990
Max. Numerical Aperture	-	0.23
Max. Fiber Core Diameter	μm	600
Transmission Rate	-	90% (typ. 95%)
Collimation Focal Length	mm	35
Focusing Focal Length	mm	-
Working Distance	mm	-
Beam Size FWHM with 200μm Fiber	μm	-
Beam Size (90% PE) with 200μm Fiber ²	μm	-
Beam Size FWHM with 400μm Fiber	μm	-
Beam Size (90% PE) with 400μm Fiber ²	μm	-
Max. Divergence with 200μm Fiber ³	mrad	8
Max. Divergence with 400μm Fiber ³	mrad	14

Thermal Data	Unit	Value
Operating Temperature	°C	5 ~ 40
Storage Temperature	°C	15 ~ 50
Max. Housing Temperature in Operation	°C	60

¹ Part No. = Brand Code - Series - Fiber Connector Type - Beam Type - Collimation Focal Length - Focusing Focal Length

² PE means power enclosed.

³ FW 1/e²

