

# Fast Axis Collimator

## Blue FAC 600



### Features and Advantages

Acylindrical lens for the collimation of the fast axis of diode lasers.

The new revision has an increased power content of >92% within  $\pm 0.7$  mrad.

### Product Specifications

Specification Data	Unit	Value
Material		FL-Blue
Width (W)	mm	$1.0 \pm 0.05$
Thickness (T)	mm	$0.808 \pm 0.01$
Clear aperture	mm <sup>2</sup>	$3.5 \times 0.84$
Refractive index n @ 445 nm		1.763
Effective focal length (EFL) @ 445 nm	mm	0.600
Back focal length (BFL) @ 445 nm	mm	0.141
Numerical aperture (NA)		0.7
Transmission	%	> 99
Power within an angle of $\pm 0.7$ mrad <sup>(1)</sup>	%	> 92

**Product Code** **ZLE002531**

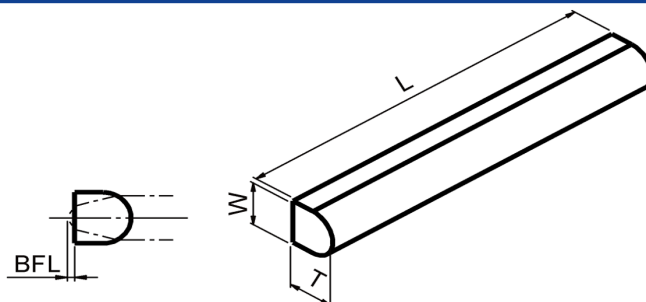
Specification Data <sup>(3)</sup>	Unit	Value
Length (L)	mm	$4.0 \pm 0.05$
AR-Coating	nm	430 - 470
Surface imperfections (DIN ISO 10110-7)		5/3x0.025; C2x0.1; L2x0.025; E <sup>(2)</sup>

<sup>(1)</sup> Valid for an emitter-height of 0.7 $\mu$ m and no smile of the laser diode; the design of FAC600 is diffraction limited:  $(FW/e^2, \text{Gaussian})$  remaining div.  $\sim$  emitter height / EFL(FAC)

<sup>(2)</sup> Chipping on short edge 0.1, chipping on long edge 0.08.

<sup>(3)</sup> Customized design, dimensions & coating on request.

### Product Drawing (mm)



Rev 02 | Updated September 25, 2023 | RoHS compliant 2011/65/EU and 2015/863/EU