
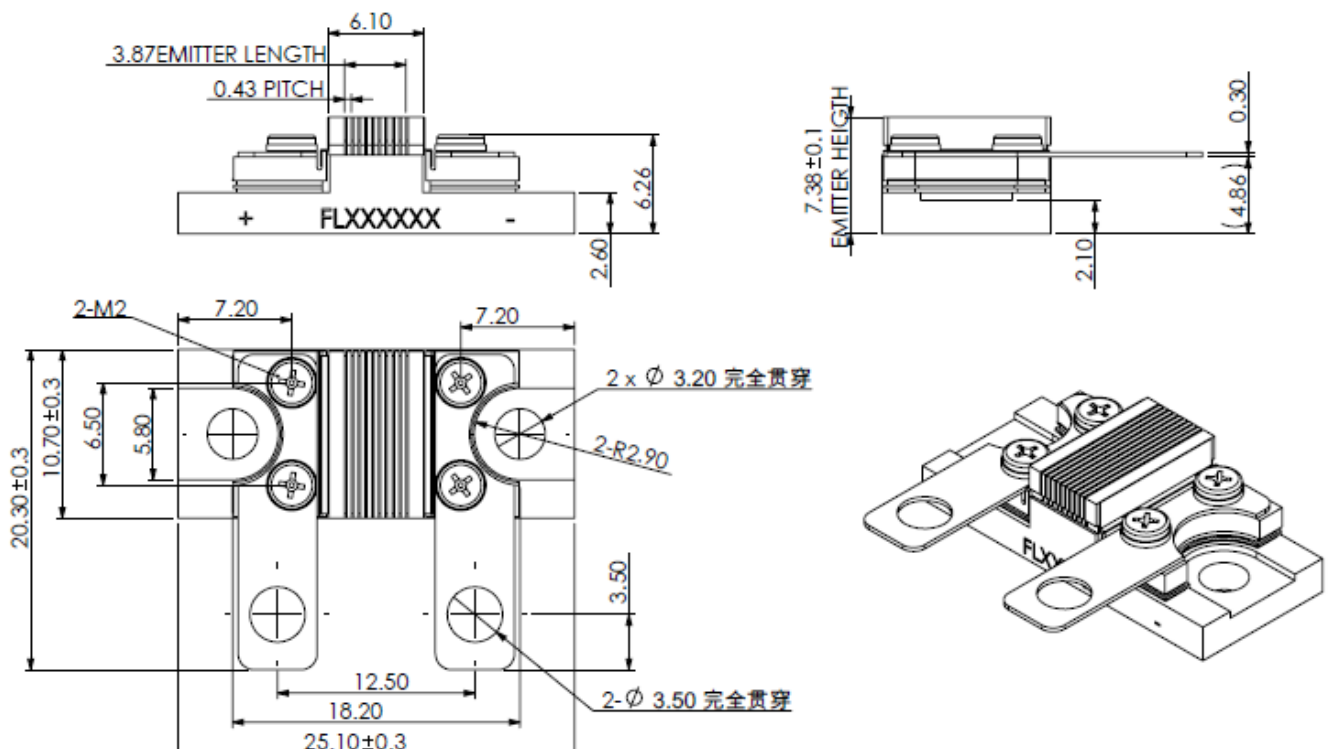


Conduction Cooled QCW Vertical Stack Diode Laser GS05 Series

	<p>Features</p> <ul style="list-style-type: none"> • AuSn Bonding • High reliability • Narrow spectrum • High peak power • High temperature application • Compact Size 	<p>Applications</p> <ul style="list-style-type: none"> • Pumping • Illumination • Industry • Research
---	---	--

Product Dimensions (mm)



Remark: The structure drawing is for reference only. Please feel free to contact us for any special requirements.

Product Specifications

Product Code	GST000011	GST000012
Part No. ¹	FL-GS05-10X1-1000-808(Q)	FL-GS05-6X1-600-808(Q)

General Data	Unit	Value	
Operation Mode	-	QCW	QCW
Pulse Width	μs	300	300
Duty Cycle	%	0.6	0.6
Bar Pitch	mm	0.43	0.43

Optical Data ³			
Centroid Wavelength	nm	808	808
Wavelength Tolerance	nm	± 2	± 2
Output Power per Bar	W	100	100
Number of Bars	-	10	6
Spectral Width FWHM	nm	≤ 4	≤ 4
Spectral Width 90% Energy	nm	≤ 6	≤ 6
Fast Axis Divergence (FWHM)	°	35 (typical)	35 (typical)
Fast Axis Divergence with FAC	°	≤ 5°	≤ 5°
Slow Axis Divergence (FWHM)	°	8 (typical)	8 (typical)
Polarization Mode	-	TE	TE
Wavelength Temp. Coefficient	nm / °C	~ 0.28	~ 0.28

Electrical Data ³			
Operation Current	A	≤ 120	≤ 120
Threshold Current	A	≤ 40	≤ 40
Operating Voltage per Bar	V	≤ 2	≤ 2
Slope Efficiency per Bar	W / A	≥ 1	≥ 1
Power Conversion Efficiency	%	≥ 50	≥ 50

Thermal Data			
Operating Temperature	°C	-45 ~ 60	-45 ~ 60
Storage Temperature ⁴	°C	-55 ~ 85	-55 ~ 85

¹ Part No. = Brand Code - Series - Power - Centroid Wavelength - Variant Code.

² Reduced lifetime if used above nominal operating conditions.

³ Data at 25°C unless otherwise stated.

⁴ A non-condensing environment is required for storage and operation below ambient dew level.

